

Kupole User Manual

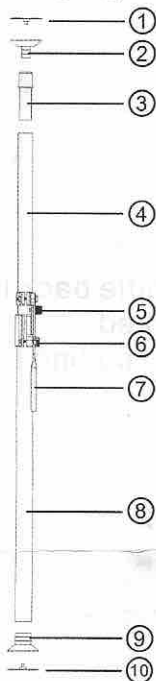
Thank you for purchasing the Kupole system. To ensure your safety as well as the proper use and maintenance of your Kupole system, it is important to carefully read and understand the information contained in this manual before using.

Unpacking & Inspection

Open the shipping carton and verify that all equipment necessary to operate the system has arrived intact and make sure that there is no evident damage caused by transportation. If any equipment is missing and damage found please contact your nearest distributor immediately.

Product introduction:

The Kupole is a tension adjustable pole system can be installed between floor and ceiling. Its unique tension mechanism and locking system exerts the sufficient pressure to assure a secure fit, wedging the protective rubber ends in place from ceiling to floor.



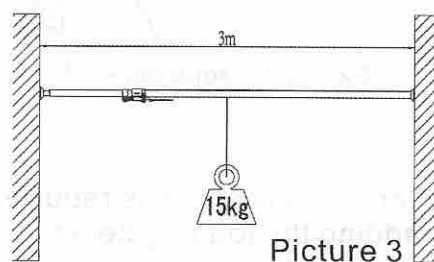
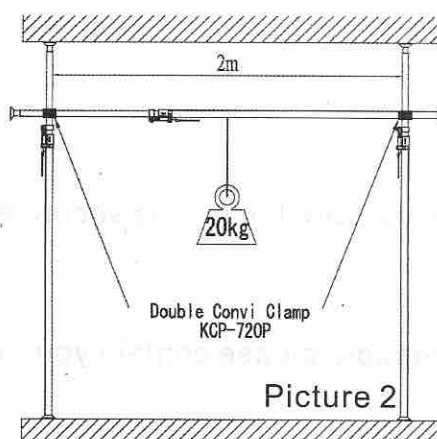
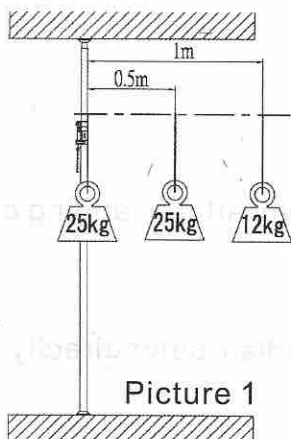
- ① ⑩ Rubber Pad (White only)
- ② Top Rubber Cover (Black or White)
- ③ Spring-loaded cushion
- ④ Upper tube 40mm (1-9/16") *40.5 mm*
- ⑤ Extension-adjusted knob
- ⑥ Safety locking latch
- ⑦ Handle
- ⑧ Bottom tube 45mm (1-3/4") *45.5 mm*
- ⑨ Bottom Rubber Cover (Black or White)

Cautions:

1. Do not exceed the specified maximum loading weight. (See the detail below)
2. Keep the handle always locked with the safety locking system.
3. Do not operate the Kupole at temperature more than +60 degree C or less than -30 degree C.
4. Keep the Kupole dry after operating in wet conditions.
5. It's not recommended to operate Kupole in seawater.
6. Use mild detergent and a soft cloth to keep the Kupole clean.

Loading limits:

- Picture 1, 2 are valid for using with rigid floor and ceilings, and with the Rubber pad attached on the Rubber cover.
- Picture 3 is valid for operating with rigid wall to wall, and with the Rubber pad attached on the Rubber cover.



Operating instruction:

Step 1. Make sure the top and bottom rubber covers are attached.



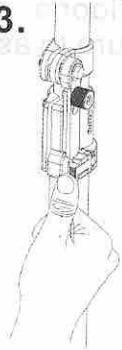
Step 2. Place the pole in desired location.

Step 3. Hold the handle and put your thumb on the locking latch.

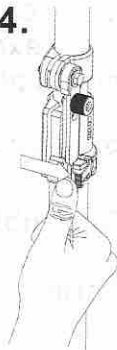
Step 4. Push upward the locking latch by thumb.

Step 5. Pull up the handle upward to release the upper tube and rise the upper tube to the desired height against ceiling.

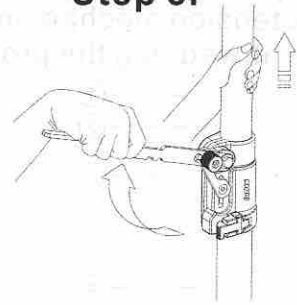
Step 3.



Step 4.



Step 5.

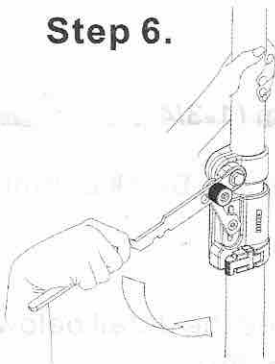


Step 6. When the pole is level, hold the tube in position and push the handle back into locking latch. There is a sound "click" to make sure the safety latch is locked.

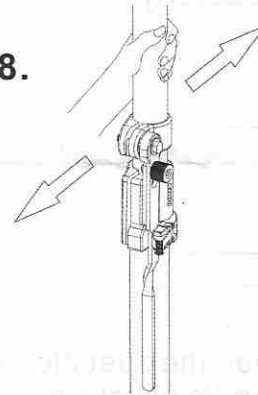
Step 7. Make sure the installation is firmly in place by gently pushing and pulling the pole.

Step 8. If necessary, repeat until the pole is level and secure.

Step 6.



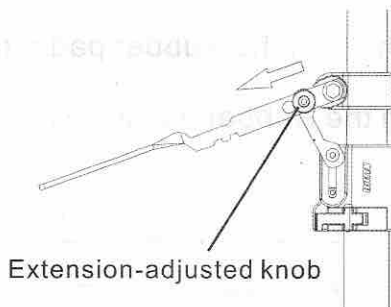
Step 7&8.



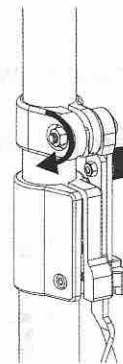
Note:

1. Tension can be increased by switching the extension-adjusted knob from upper to lower position on the handle.
2. If the upper tube sliding back when erecting the pole, may use socket wrench to fasten the hex bolt.

Note 1.



Note 2.



3. Periodically check is required to make sure the pole is secure especially after changing or adding the loading items.

Should you require any further information, please contact your nearest distributor directly - we will be pleased to assist you.